

## Nominal data

|                          |                   |          |
|--------------------------|-------------------|----------|
| Type                     | 4314 NN           |          |
| Nominal voltage          | VDC               | 24       |
| Nominal voltage range    | VDC               | 12 .. 28 |
| Speed                    | min <sup>-1</sup> | 2700     |
| Power input              | W                 | 4.0      |
| Min. ambient temperature | °C                | -20      |
| Max. ambient temperature | °C                | 75       |
| Air flow                 | m <sup>3</sup> /h | 190      |
| Sound power level        | B                 | 5.5      |
| Sound pressure level     | dB(A)             | 41       |

ml = Max. load · me = Max. efficiency · fa = Running at free air · cs = Customer specs · cu = Customer unit  
Subject to alterations

4314 NN

## DC axial compact fan

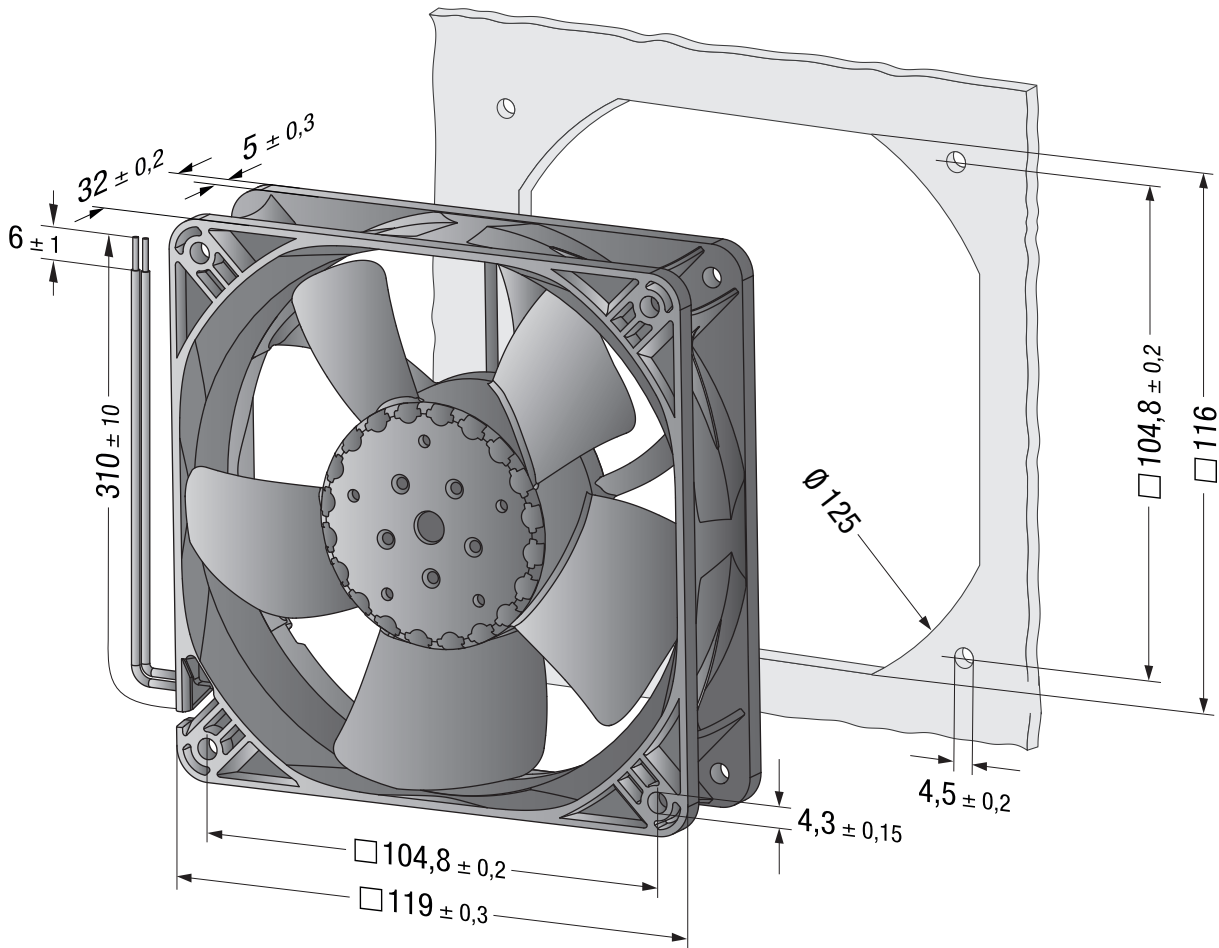
### Technical features

|  |   |
|--|---|
| <b>Mass</b>                                | 0.250 kg  |
| <b>Dimensions</b>                          | 119 x 119 x 32 mm                                   |
| <b>Direction of air flow</b>               | Über Stege blasend                                  |
| <b>Direction of rotation</b>               | Clockwise, looking at rotor                         |
| <b>Bearing</b>                             | Kugellager  |
| <b>Lifetime L10 at 40 °C</b>               | 72500 h   |
| <b>Lifetime L10 at maximum temperature</b> | 30000 h   |
| <b>Connection line</b>                     | Single strands AWG 24, TR 64, bared and tin-plated. |

4314 NN

# DC axial compact fan

## Product drawing



## Charts

